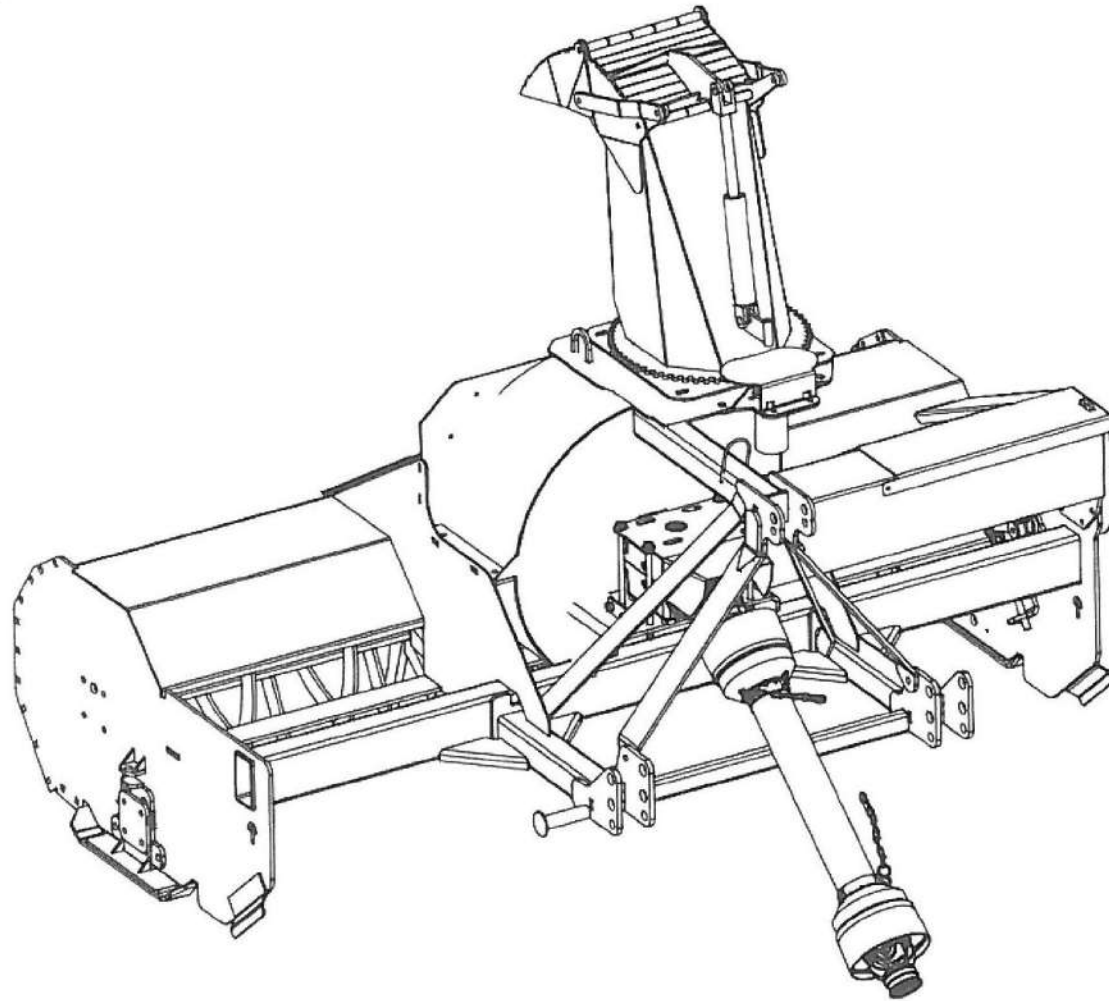


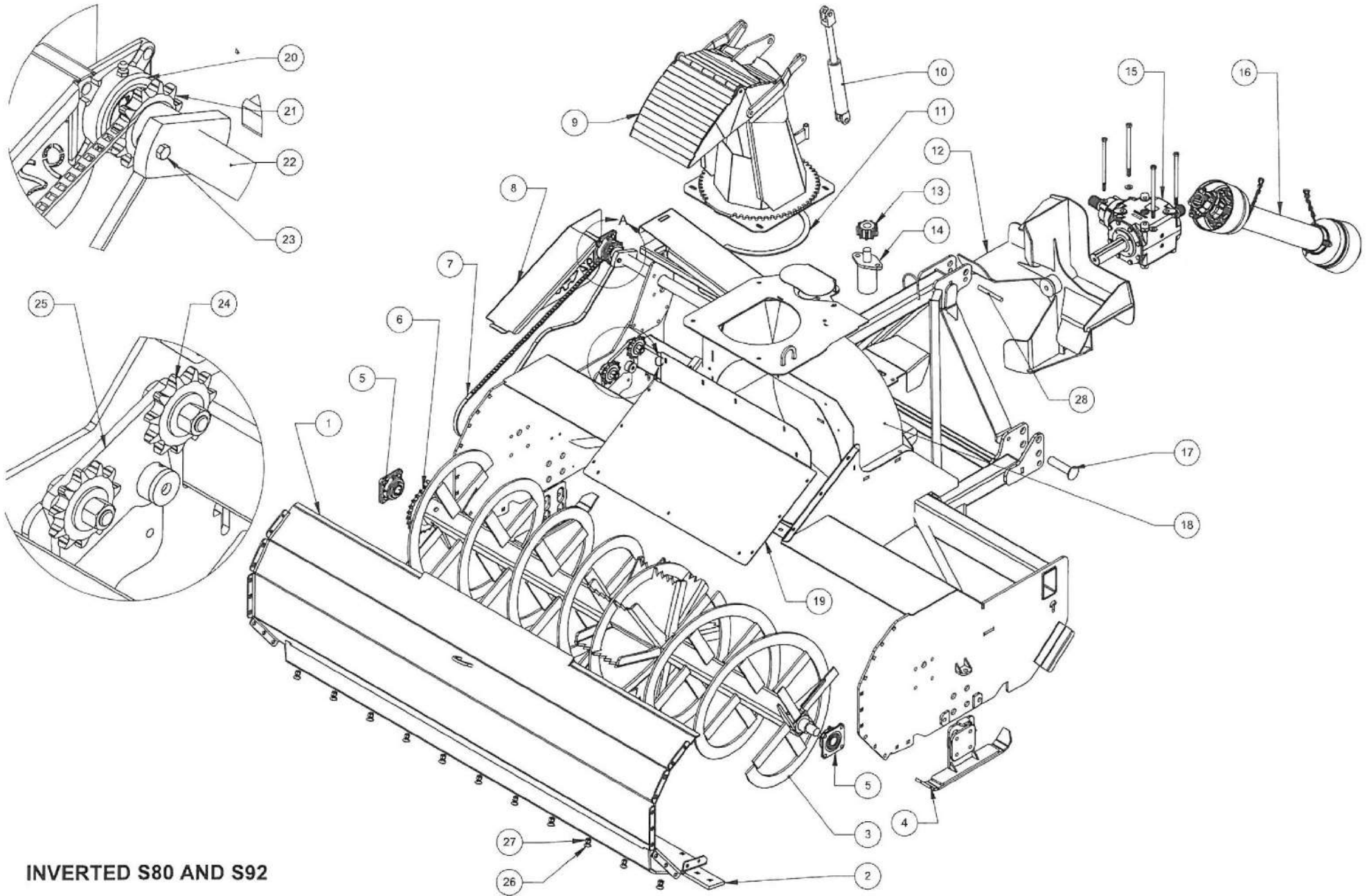


PARTS LIST

80-92 ARTIX SNOWBLOWERS



www.artix.ca
info@artix.ca
819.357.0567



INVERTED S80 AND S92

SNOWBLOWERS PART LIST_2018

ITEM #	DESCRIPTION	QTY	PART NUMBER S80-UNI	PART NUMBER S80-BI	PART NUMBER S92-UNI	PART NUMBER S92-BI
1	REAR FIXED PANEL	1	80200		90200	
2	QT400 STEEL SCRAPER BLADE	1 OR 2	80201		90201	
	STAINLESS STEEL SCRAPER BLADE		80202		90202	
	TEFLON SCRAPER BLADE		80203		90203	
3	BALANCED AUGER	1	80204		90204	
4	STEEL SKID SHOE	2	50200			
	STAINLESS STEEL PLATE WELDED ON SKID SHOE		50201			
	STAINLESS STEEL PLATE FOR SKID SHOE (to be welded bu customer)		50202			
	TEFLON FOR STEEL SKID SHOE		50300			
5	AUGER BEARING	2	50203			
6	AUGER SPROKET	1	80101		90101	
7	ROLLER CHAIN	1	80102		90102	
8	DRIVE SHAFT COVER PLATE	1	80205		90205	
9	CHUTE	1	80206		90206	
10	CHUTE CYLINDER	1	50100			
11	CHUTE ANTIFRICTION RING	2	50301			
12	FAN	1	80207		90207	
13	GEAR	1	50101			
14	HYDRAULIC MOTOR	1	50102			
15	GEARBOX	1	80103		90103	
16	PTO	1	80104		90104	
17	BOTTOM PIN	2	80105		90105	
18	ROLLED FAN FRAME ONLY	1	80208		90208	
19	FAN COVER PLATE	1	80209		90209	
20	DRIVE SHAFT BEARING	1	80106		50203	
21	SHEAR SPROCKET	1	80107		90107	
22	DRIVE SHAFT	1	80300		90300	
23	SHEAR BOLT	1 OR 2	80108		90108	
24	IDLER SPROKET	2	80109		90109	
25	COMPLETE TENSIONER	1	80210		90210	
26	1/2"-13, 1-1/4" LONG SQUARE-NECK FLAT HEAD BOLT (for steel &SS blade)	12	50103			
	1/2"-13, 1-3/4" LONG Flat-Head Socket Cap Screw (for teflon blade)	12	50104			
27	1/2"-13, STOVER NUT	12	50105			
28	TOP PIN	1	50106			
29	DRUM FOR BIDIRECTIONNAL ONLY	1		80211		90211
30	DRUM ANTIFRICTION RING	2	50107			
31	DRUM CYLINDER	1		50108		50108
32	REAR PANEL CYLINDER	1		501109		50109